

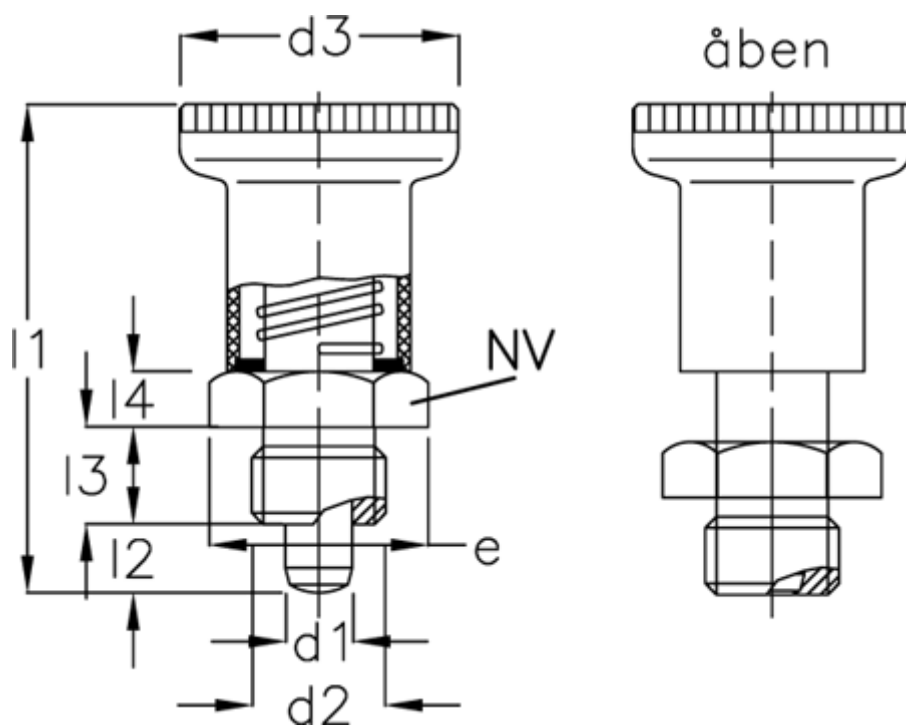
Data Sheet



Article number: 20010005

Description: E+G Indexing plunger
GN 607-8-A

Measures



AL = 500

$d1 = 8$

$d2 = M16 \times 1,5$

$d3 = 31$

$e = 21.9$

$l1 = 54$

$l2 = 8$

$l3 = 12$

$l4 = 6$

NV = 19

Spring pressure N bottom = 28

Spring pressure N top = 15.5